

## **OFFICERS**

### **President**

Randy Sayre - Downing, MO - 660-342-1515

### **Vice President**

Chet Moore, Meadville, MO - 660-229-0622

### **Secretary/Treasurer**

Stephanie Moore - Meadville, MO - 928-919-4007

### **Webmaster**

Tina Rea - Ottumwa, IA - 641-777-5297

### **Announcer**

Mike Stauffer, LaGrange, MO - 660-342-6788

## **PROMOTORS**

Randy Sayre - Downing, MO, 660-342-1515

Adam Burkhalter - Fairfield, IA, 319-470-9600

John Mayberry - Bloomfield IA, 641-777-6564

## **RULES COMMITTEE**

Mike Filson      Pres - Randy Sayre

Tom Rea      Vice Pres - Chet Moore

Adam Burkhalter      Alt. Jay Zimmerman

## **BOARD MEMBERS**

### **8000# OPEN TRUCKS**

Adam Burkhalter - Fairfield, IA, 319-470-9600

Jay Zimmerman - Contrel, IA, 660-216-2958

**Equipment Techs - Every Class Member**

### **6500# 2WD MODIFIED TRUCKS**

Jim Tinnes - Sigourney, IA, 319-461-6138

Charlie Tedrow - Fairfield, IA, 641-919-1541

**Equipment Techs - Every Class Member**

### **6200# 4X4 PRO STOCK TRUCKS**

John Mayberry - Bloomfield, IA, 641-777-6564

**Equipment Tech - Class Member**

### **6200# 4X4 PRO STREET TRUCKS**

Mike Filson -Birmingham, IA, 641-919-9410

Justin Osborn - Kirksville, MO, 660-216-2822

**Equipment Tech - Justin Osborn - Kirksville, MO, 660-216-2762**

### **4300# 2WD PRO STREET TRUCKS**

Thomas Rea - Ottumwa, IA, 641-777-2220

Tyler Hagar - LaPlata, MO, 660-988-1554

**Equipment Techs - Board Members**

### **5500# CLASSIC MODIFIED TRACTORS**

Jim Ruffcom - Luray, MO, 660-341-0440

Jon Rubey - Mt. Pleasant, IA, 319-931-4214

**Equipment Techs** - Tanner McElfresh, 217-490-0182  
Jim Ruffcom - Luray, MO, 660-341-0440  
Chet Moore - Meadville, MO, 660-229-0622

### **6700# LIGHT LIMITED SUPER STOCK TRACTORS**

Terry Smith JR - Arbela, MO, 660-341-4490  
Brant Greiner - Washington, IA, 319-461-8908  
**Equipment Techs - Board Members**

### **8500# OPEN TRACTORS**

Terry Smith JR - Arbela, MO, 660-341-4490  
David Hardy - Browning, MO, 660-412-2255  
**Equipment Techs - Board Members**

### **8500# 466 CID LIMITED PRO TRACTORS**

Terry Smith JR - Arbela, MO, 660-341-4490  
Adam Burkhalter - Fairfield, IA - 319-470-9600  
**Equipment Techs - Board Members**

### **9500# PRO FARM TRACTORS**

Kent Duesterhaus - Quincy, IL, 217-653-6580  
Mike Frazier - Arbela, MO, 660-341-5729  
**Equipment Techs - Board Members**

### **11,500# FARM STOCK TRACTORS**

Clint Briscoe - Williamstown, MO  
Jay Cameron - Kahoka, MO, 660-341-4261  
**Equipment Techs - Board Members**

## **CLASSES**

### **Lbs. - Tractors**

5,500 - Classic Mod  
9,500 - Pro Farm  
11,500 - Farm Stock  
6,700 - Light Limited Super stock  
8,500 - 466 Limited Pro Stocks  
8500 - Open Tractors

### **Lbs. - Trucks**

6200 - 4WD Pro Stock  
6200 - 4WD Pro Street  
6500 - 2WD Modified  
4300 - 2WD Pro Street  
8000 - Open Trucks

## **CONTESTANT ELIGIBILITY**

1. Contests will be open to members and non-members alike; however, all contestants must comply with the current rules & regulations.
2. All contestants are required to have TSPA approved insurance.
3. Annual membership dues are \$100 per vehicle.
4. Annual Insurance fees are \$65 per driver.
5. Each member shall be required to sell one 1/8 page ad in the annual souvenir program.
6. Only member vehicles accumulate points and are eligible for any additional monies beyond prize money.
7. Member vehicle only accumulate points in one class

of which they are registered. Competitor shall designate class they wish to accumulate points if registered in more than one class. Except: Member vehicles may also register and accumulate points in either the Open Truck or Open Tractor Class.

(Pro Farm tractor do not apply to this.)

8. All contestants must be at least 16 years old and have a valid driver's license or proof of age and meet any other restrictions that might be dictated by our insurance company. Except: Pro Street 2WD, see class rule.

9. No consumption of alcoholic beverages before hooking to the sled.

10. All contestants under the age of 18 must have on file with TSPA an "Assumption of Risk Agreement".

11. All contestants are required to wear a DOT or SNELL approved helmet (Full Face Recommended But Not Required) with strap fastened, full fire suit including shoes and gloves and a seat belt fastened.

## GENERAL CONTEST RULES

1. All contestants must register with scorekeeper and draw for pulling position before the contest starts.

2. Late arrivals will pull last.

3. Any contestant whose TSPA membership dues and insurance fees are paid in full shall not pay any contest fee for the season. Entry fee will be \$40.00 per class for nonmembers.

(NOTE: Special events and circumstances may be cause for different entry fee amounts.)

4. Prize money will not be awarded until the vehicle is certified, or has proof of certification with a co-sanctioned association, or 100% class approval or Board approved.

5. In order that all TSPA sanctioned contests operate in a professional and efficient manner, members may be asked to participate in some part of the operation of the pull.

6. Each vehicle may enter in two (2) classes but only once in each class.

7. A sanctioned pull must use a dirt track not less than 200ft. in length, not to exceed 300 ft. and not less than 30 ft. in width. This track must be maintained and packed with proper equipment during the pull.

8. A Chalker will be used to mark out of bounds with inside of line to be boundary.

9. Open or closed gate will be determined by track officials.

10. All pulls made during the contest will be electronically measured.

11. If scales are at pull, scale reading is enforced, no questions. No Hot Rodding on scales.

12. Unsportsmanlike conduct will not be tolerated.

13. Verbal abuse by a member or a member of his pit crew, toward an official or a sponsor of a pull, may be cause for suspension of said puller and vehicle for a period up to sixty (60) days from date of occurrence.

14. No riders on/or in pulling vehicle at any time. One warning then disqualified for that class. EXCEPT: Pro Street 2WD Trucks allows co-driver, see class rule.

15. All vehicles must be operated in a safe and cautious manner in the pit area. There will be a warning for the first time and a loss of 10 points for each additional time.

16. Any vehicle left running on the track or in staging area, with out a driver in the seat, will be subject to disqualification. One warning, then disqualification for that class.

17. A pull order lineup will be posted. It is each puller's responsibility to be ready when it is their turn. The next two (2) vehicles in the lineup following the one pulling must be ready to hook.

18. Failure to be ready to hook in one (1) minute, unless in case of mechanical trouble, will be cause for disqualification. The official's decision as to mechanical trouble will be final.

19. Each contestant has the privilege of, and the responsibility for, spotting the sled for their attempt. Once sled is spotted, they may not re-spot for second attempt.

20. All pulls must start with a tight hitch, no jerking permitted.

21. Driver shall place tractor or truck in neutral and have foot off of the clutch pedal while hooking to and from the sled.

22. Contestants must remain seated in an upright position. Contestants will be allowed two (2) consecutive attempts within 100 ft. to start the sled.

23. The first puller in each class to go past 100 ft. as deemed by the track judge, shall be considered a test puller and have the option of a re-pull, if they so state, before they are unhooked from the sled. If so, they must determine to pull in the third or last position to the track official.

24. If test puller has an on-track disqualification (out of bounds, lost weight etc.) re-pull option will still apply.

25. Any puller, regardless of pulling position, who encounters mechanical problems on his/her first try at pulling the sled, and has not gone by the 100 ft. marker, will be allowed to pull at the last of the class if they so choose. If puller is making an attempt to stop before 100 ft., but travels past the 100 ft. limit, re-pull will be allowed at track official's discretion.

26. If sled is re-weighted, next puller becomes first puller and has re-pull option. All previous pullers will pull at the last of the class. There will be no re-pull options for tie pull offs.

27. Pull is ended by the following:

a) Forward motion stops.

(Excessive digging will not be allowed.)

b) Disqualification

c) Driver does not remain seated.

d) Parts of the vehicle fall on the track, including ballast weight.

e) Out of bounds of pulling vehicle.

28. Mechanical breakage and excessive loss of liquid will not be grounds for disqualification, but vehicle will be red flagged and distance measured.

29. If vehicle hitch breaks, measurement will be taken from that point.

30. Vehicles traveling the farthest distance before being stopped will be declared the winner of their class; other vehicles will be placed accordingly.

31. If more than one vehicle goes through the course, more weight will be added to the sled and those vehicles may pull again, if mechanically possible.

32. All vehicles must be driven off and on the track under their own power if mechanically possible (as determined by the driver). All trucks and tractors can be stopped at any

contest at any time to have safety equipment inspected. Any violation of these rules will disqualify the driver and forfeit the entry fee.

35. In the event of a tie in points, at the last scheduled event of the season, winner will be determined by the amount of first place wins. If the wins are the same, second place will be the tie breaker.

36. TSPA officials have the right to stop and/or disqualify any contestant's vehicle that is being operated in violation of the rules or in an unsafe manner.

37. Contest will be governed by officials, with all decisions final.

38. Open Class tractors and trucks must adhere to all safety rules.

39. Any trial or exhibition run will be made after the completion of the entire class and only with TSPA Board, sled operator and promoter's permission.

40. No out of bounds after 300ft.

41. Out of bounds any part of pulling vehicle, not sled.

## **GENERAL VEHICLE RULES**

1. All vehicles will be safety inspected and certified before they hook to the sled.

2. All trucks and tractors will be subject to inspection by TSPA Directors before and/or after they hook to the sled.

3. Vehicles that do not meet TSPA rules will be subject to disqualification.

4. The Board has the right to internally inspect any new vehicle, or new entries, at any time.

5. All vehicles must have engine and chassis inspected and certified by the second event of participation.

6. Contest is limited to rubber tire vehicles; no steel wheels, tire chains, tire studs, rear duals (except open trucks), or fourwheel drive or front assist tractors allowed.

7. Weight includes driver.

8. Must have describable weights.

9. All weights must be securely fastened to the pulling vehicle. If weight or any other item used as ballast falls off, then vehicle is disqualified.

10. Each vehicle must have a hook point within draw bar with an inside dimension of 3 3/4 inches or more front to back by 3 inches or more side to side and it must be welded to or be a part of the draw bar. Hook point may not be more than 1.5 inches from back edge of hitching device. Draw bar at hitch eye must be a minimum of 3/4 inches thick.

11. All vehicles must have an area 6 inches wide and 12 inches high immediately above the draw bar free of all obstructions.

12. Draw bar must be stationary in all directions.

13. Vehicle shall have a hook in front of pulling vehicle to pull vehicle off the track.

14. All trucks and tractors will be required to have a steel plate or steel billet flywheel, clutch and components with the following mechanical properties: Tensile strength 60,000 psi, yield strength 40,000 psi.

15. Any magnesium or aluminum flywheel that meets or exceeds former SEMA standards will be acceptable.

16. Positively no gray cast iron allowed.

17. No additives added to fuel or water except for lubrication

purposes. No combustion enhancers or oxygenates of any kind allowed. Exception: Cetane booster, see class rules.

18. No pressurized tanks for secondary fuels except open class.
19. No oxygen or nitrous oxide allowed except open class.
20. Engine cubic inch limits as stated per class; 1% tolerance on pump test allowed. If engine fails pump test, competitor may tear down for exact measurement.
21. All vehicles must be equipped with workable brakes.
22. All pulling vehicles must have a strong seat equipped with a seat belt.
23. All vehicles must have a minimum of a fully charged 2 1/2 lb. fire extinguisher, mounted within easy reach of the driver. A halon fire extinguisher of equivalent size may be used.
24. All vehicles must have a working neutral safety switch, meaning vehicle will only start in neutral or park.
25. Any changes made to a vehicle that are not covered by the rule book must be approved by the board/tech official for your class.

## **GENERAL TRACTOR RULES**

1. All tractors must be equipped with an approved type of kill switch or air shutoff that can be activated by the pulling sled.
2. All turbo chargers, not under the hood, must be completely shrouded, except for inlet and exhaust pipes with steel .060 inch or thicker.
3. Turbochargers under fiberglass hoods must be shrouded with .060 inch steel or thicker under fiberglass.
4. All tractors with turbo and no muffler must have two 3/8 inch bolts in exhaust as close to elbow as possible at 90 degree angles and no further than 2 inches apart.
5. All tractors must have a nationally approved scatter blanket to shield the clutch and flywheel assembly.
6. All air through turbo must go through inducer housing. See class rule.
7. All tractors must have a shield on front crankshaft pulley and/or harmonic balancer that will, in the event of failure, contain pulley or balancer within the engine compartment.
8. All tractors are required to have steel pulling hubs or factory flange style hubs or weld on hubs.
9. No cast hubs except farm stock.
10. All tractors recommended having a roll over protection cage built to NTPA specifications. (not mandatory)
11. All tractors must have side shields extending from the pan to the hood made of 0.060 inch steel (16 ga.) or 0.114 inch aluminum (9 ga.). Frame may count as part of the shield.
12. No converting of diesel engines to gasoline engines.
13. Turbo chargers may be checked by a TSPA tech official at any time.
  
14. All tractors must be equipped with stabilizer bars and rear bumper that conforms to TSPA specifications.
15. Tractors to be no longer than 13 feet from center of rear axle to the most forward position of tractor including weights, but excluding towing hitch.
16. Rear weights cannot interfere with hitching of sled.
17. Tractors must have tip over bars, wide front axle (NO) narrow front ends allowed. All class of tractors

- (EXCLUDING Farm stock) must have front ski bars.  
The bottom of the ski shall not be less than 4" from the ground.
- a. Tip over bars must extend a min. of 32" behind center of rear axle and be a min. of 20" apart.
  - b. Pads must be a min. of 5 inches square and must not be more than 20 inches off the ground.
  - c. Tip over bars shall support the weight of the tractor when a jack is placed under them.
  - d. Bars must meet the Board approval.
18. Exhaust must be pointed upward.  
19. Hook point is to be a minimum of 18 inches behind center of rear axle, a maximum of 20 inches in height and rigid in all directions.

## **5500# Classic Modified Tractors**

***These rules set for 3 years starting 2024, anything open for discussion***

1. Maximum weight is 5500 lbs.
2. Any speed, any gear and no shifting T/A or like transmission.
3. All tractors must be neatly painted.
4. Tractors are intended to look like a farm stock tractor that has had an automotive V-8 neatly installed.
5. No extended or widened hoods.
6. Raised carburetor enclosures are allowed.
7. Tractor must be certified before you are awarded points. There will be paint applied to a head bolt down to the block and if the paint line is broken the tractor must be recertified.

### ***Engine***

1. 360 CI limit with 1% tolerance.
2. No big blocks, No turbochargers or superchargers.
3. One automotive production or aftermarket cast iron block and cast iron heads only.
4. Blocks and heads are to remain unchanged in outside appearance
5. Heads must match OEM valve angle for block used.  
Example: GEN I SBC 23°, GM LS 15°, + or - 1°
6. No raised runnerheads. Stock intake manifold must bolt on without modifications to the mounting angle.
7. No sheet metal intake manifolds allowed.
8. No more than 2" of carburetor spacers.
9. No magnetos.
10. No tunnel port manifolds.
11. Exhaust pipes or headers must be turned straight up or down.
12. No flap type covers on exhaust.
13. Any single automotive or agricultural carburetor allowed.
14. Electric fans, water pumps and fuel pumps are allowed.
15. Head marked after being teched.

### ***Fuel***

1. Tractors are to be naturally aspirated with a single gasoline carburetor.
2. No nitrous oxide.
3. No nitro methane or nitro methane fuel additives allowed.
4. E-85 is allowed. Specific gravity of no more than .780 at 81 degrees allowed when tested. Anything over this is a disqualification.

### ***Tires/Wheels***

1. 18.4x38 tire size is the maximum.
2. Any cut and any rim width.

### ***Chassis***

1. Stock frames or like replacement are allowed. Example would

be a tractor with a cast iron tub chassis may convert to side rail frames.

2. Agricultural Sheet metal and Ag Transmission rear end and axle housing no newer than 1975.
3. Any model sheet metal is allowed as long as it is from the same manufacturer.
4. No lengthened or widened hoods.
5. All tractors must have a wide front end.
6. 108 inch wheel base center of front axle to center of rear axle. Anyone that is in our group that's longer will be grandfathered in at their length.
7. Batteries and fuel tanks may be remote relocated in front of grill.
8. No part of the tractor including the front weight bracket shall exceed 11 Ft. in front of the center line of the rear axle.
9. Gordyville Hitch exempt in wheel base length.

### ***Hitch***

1. Point of the hook must not exceed 20 inches from the ground or be no less than 18 inches from the center line of the rear axle.
2. Adjustable draw bars must be stationary in all directions
3. Top of hitch adjuster must not be attached above the center-line of the rear axle.

### ***Safety***

1. REQUIRED; All drivers are required to wear approved fire suit, helmet, shoes and gloves.
2. Wheelie bars are required and must support the weight of the tractor.
3. Rear mounted kill switch is required. Kill switch must kill the circuit to the ignition as well as the fuel pump(s).
4. Dead man style throttle is required.
5. All tractors must be equipped with roll over protection whether it be OEM or multiple bar design.
6. Seat belts are required when hooked to the sled.
7. All tractors must be equipped with rear fenders.
8. All tractors will be equipped with either a SFI scatter blanket or 3/16 inch steel band over the clutch and flywheel area.
9. SFI clutch and flywheel required.
10. All drive line couplers must be shielded 360 degrees.
11. Engine side covers are required and cover the area from the base of the cylinder head to top of the frame rail or oil pan.
12. Wheelie bars must not be connected to the tractor's hitch.
13. Harmonic balancers are required to be shielded 360 degrees.
14. All tractors must be equipped with a fire extinguisher within reach of the driver.
15. All tractor must be equipped with front stabilizer bar or ski's. Ski's must be no more than 4" off the ground and must be attached to the frame by at least 2 points of contact.

### **6700# Light Limited Super Stock**

1. Tractors must meet all TSPA General Vehicle and General Tractor rules.
2. The weight classes will be 6700 pounds, including the driver. (dependent upon promoter needs)
3. Cubic inch displacement and turbo charger limits are as follows:
4. 6 cylinder engines with 315 cu. in. or less and 4 cylinder engines with 347 cu. in. or less will be allowed 2 turbo chargers
5. 6 cylinder engines with 410 cu. in. or less and 4 cylinder engines with 451 cu. in. or less will be allowed 1 turbo charger.
6. Allowed fuels are: Diesel, Gasoline, Alcohol and Propane



(no propane added to a diesel engine, etc.)

7. The turbo compressor housing will be no larger than a 3 inch inlet measured at the smallest diameter of the compressor wheel.

8. No downsizing of the compressor housing ahead of the wheel will be allowed.

9. Exhaust housing to be no larger than a 4 inch outlet measured as above.

10. The inlet will be measured using a 3.005 inch diameter slug, exhaust using a 4.005 inch diameter slug. If any slug touches the appropriate wheel, turbo will be declared illegal.

11. No waste gates or waste gated exhaust housing or variable vane turbo chargers allowed. No slots, holes, bleeders or any other modification that allows air into the turbo charger in any way other than through the inducer housing directly into the smallest diameter area of the compressor wheel.

12. All tractors must have a working neutral safety switch,

meaning the vehicle will only start in neutral or with the clutch disengaged.

13. All tractors must have a white backup light minimum of 2 inches in diameter, to be activated by gearshift lever when vehicle is in reverse.

14. Torque amplifier or power director must be shielded with steel shield or approved scatter blanket.

15. All tractors must have a "wide front" axle.

16. All tractors, including those with roll cages, must be operated with hood, grill and have fenders.

17. All seats on tractors will be equipped with seat belts and side rails at least 4 inches high that will support the weight of the driver.

18. All tractors must have a fire shield between the motor and the driver of .060 inch metal from side shield to side shield and from top to bottom.

19. Tin work must match engine. (example IHC hood – IHC engine; JD hood JD engine).

20. Rear weights cannot extend past rear tires.

21. Engine must be the manufactured design block for the tractor; may run newer sheet metal, but must have original drive train and components. (ex. block size, 3616407 IHC, 3896404 JD). Must use OEM engine rear mounting plate.

22. Cylinder head must match engine block without modification; OEM only. Genesis head allowed on 401 Ford; 55 series head allowed on John Deere; 800 Minneapolis Mo line heads are allowed. No aluminum heads except factory Deutz heads.

23. Gasoline, Propane and Alcohol engines must use only one

carburetor for fuel delivery.

24. Maximum fuel injection pump size. Bosch P series pump. Sigmas are not allowed. No more than 1 plunger per cylinder.

25. All diesel tractors are required to have a fuel dump or by pass valve operable from the driver's seat that will cause any fuel supplied by any primary fuel feed system to bypass the injection pump.

26. No pressurized tanks for primary or secondary fuels

27. Tractor throttle must be pushed forward for open position and idle in the most rearward position

28. Tractor maximum rear tire size is limited to 24.5 X 32.
29. All tractors will have a 3/8 inch minimum steel cable surrounding the engine and must be secured with at least (2) clamps per connection.
30. 1/8 cable with 2 wraps in a figure 8 around intake and exhaust housing.

## **Pro Farm Tractors**

1. Tractors must meet all TSPA General Vehicle and General Tractor rules
2. Class weight shall be:
  - a. 9,500 and 10,000.
  - b. Tractors pulling the 9,500 are limited to a maximum cubic inch of 466.
  - c. Tractors pulling in the 10,000 are limited to a maximum cubic inch of 650.
  - d. All engines will be allowed 0.5% tolerance upon a cubic inch inspection.
3. RPM Limits for the 9,500 lb class; are allowed a maximum GT 42 (Box) 3x3 charger with no modifications are allowed 3,500 RPM.
4. Limits for the 10,000 lb class; 2.82" and 3" are allowed 3,000.
  
5. Tractors using the GT 42 3x3 are 3,500
6. No RPM limit tolerance or grace allowed.
7. All Pro farm tractors must have a magnetic pickup attached to the front of the engine to measure engine RPM. The lead wires from the pickup to the rear of the tractor are to be made of 14, or 16 gauge wire, and attached to a 110 volt, 3 prong female electrical outlets. The 2 wires from the pickup need to be attached to the 2 main spades, not the ground spade (round). This pickup will not be used to supply RPM to a tachometer used on the tractor. Do not supply voltage, or ground to the wires, to the plug. This outlet receptacle needs to be mounted next to the rear mounted air shutoff Cable. (See wiring diagram at the back of this book.) RPM pickup part numbers are: ISSPRO #019R8906, or #R8906; SUMMIT #RPC625064165
8. If RPM sensor on tractor does not work 1 grace run will be allowed, 2nd time will be disqualification.
9. All tractors are limited to one turbo with a small exhaust mounting base. Tractors pulling in the 9,500 are allowed to use a GT 42 (BOX) 3x3 charger with no modifications.
10. Tractors pulling in the 10,000 are allowed up to a 3"x3" charger.
11. Air Bleeds are allowed.
  - a. A Spacer Plate is allowed between the manifold and cylinder head.
  - b. Only (One) tube between the charger and the Intake manifold.
12. Manifolds; All tractors must run an OEM Agricultural Exhaust manifold with NO modifications.
13. All tractors must run an OEM Brand Specific Intake manifold with NO modifications.
14. A Spacer Plate is allowed between the manifold and cylinder head.
  
15. Only (One) tube between the charger and the Intake manifold.
16. No Inter/After coolers or any other type of cooling devices for the air or fuel of any kind.
17. Any changes made to turbo or intake manifold/piping changed or altered after tech inspection must be approved by the board/tech official at or before next event.

18. Water injection in the air intake will be allowed.
19. Water must freeze within 3 hours in a refrigerator freezer compartment.
  - a. 1st violation no prize money or points for that pull.
  - b. 2nd violation loss of points & hook money for the year.
  - c. 3rd violation disqualified for the season
20. No additives to the water except for lubrication purposes.
21. Cetane boosters / enhancers allowed in the fuel.
22. Replacement blocks are allowed provided they bolt to the original factory cast clutch bell housing without any Modification or use of adapter plates. If the factory uses an adapter plate, it may not be modified in any way.
23. Head will be the same manufacturer as crank case. No aftermarket heads will be allowed. Deck plates between head and block will not be permitted. Inline pumps can be used up to and including a "P" series injection pump, limited to 13 mm plungers. Number of plungers to match engine cylinders and must conform to tractor chassis being entered.
24. All forms of nitro methane (including nitrous oxide and propylene) fuel are illegal.
25. All fuels will have a Maximum of a 750-specific gravity.
26. No LP, ice, alcohol or pressurized tanks of any kind allowed as Secondary fuel.
27. LP will be allowed as a primary fuel.
  
28. Tractors using a roller chain coupler, to connect the engine to the transmission, must enclose said coupler 360 degrees with 5/16-inch minimum thickness steel, inside diameter not to exceed 2 inches more than the outside diameter of coupler to be fastened every 6 inches with minimum 3/8 inch grade 5 bolt.
29. Electric fans are required on all tractors.
30. All tractors must have factory equipped governors and must be operative.
31. All tractors must have hood and fenders and must be as close to original as possible. Updating of sheet metal is permitted.
32. No Component tractors allowed.
33. Homemade front ends will be allowed, subject to Board approval.
34. Tractors must have front ski bars under the front axle no more than 4" off the ground. Wheelie bars and ski bars must support the weight of the tractor.
35. No weights allowed on the platform of the tractor.
36. Kill switches, for gas powered tractors, and air shut offs, for diesel powered tractors, will be required.
37. A fuel dump valve ahead of the injection pump is recommended, but not required.
38. Tractors will be limited to a maximum wheelbase of 114 inches.

## **11,500 Farm Stock**

1. Weight classes are 11,500.
2. Maximum 2,850 RPM on and off the track at all times.
3. Pressed steel wheel center are allowed.
4. Functional rock shaft housing required if so equipped.
5. Factory wide front-end.
6. PTO is optional.
  
7. Tire size is limited to 20.8-38 or 18.4-42.
8. Top cut tires are allowed, No front cutting allowed.
9. Stock appearing pump.
10. Tractors are limited to a single Borg Warner S360, 2.36" inlet with Borg Warner part number 177272. Turbos are to

be purchased from IFPA and sealed with board approval.  
Seals will be on both the compressor and turbine housings.  
If competing for IFPA points, charger must be purchased from IFPA.

11. Factory inter-coolers are permitted for the make and model.
12. Pusher pumps allowed.
13. Tractor must have a stock appearing engine components and stock appearing injection pump for make and model of tractor.
14. REQUIRED: Air shut off.
- 14b. REQUIRED: Electric fans.
15. REQUIRED: Tip over bars (specifications - Rule 27 in the General Rules).
16. Maximum draw bar height of 20 inches with a minimum of 18 inches from center of axle.
17. A clevis may not be used as a hitching eye.
18. RPM sensor required with Gordyville style hook up.
19. One hook per class per tractor.
20. Grace period for 1 event (must be approved by tech committee and track judge).
21. NO WEIGHT ON 3 POINT HITCH.
22. No curved exhaust pipes.
23. Rear weight bracket and weights must not interfere with hooking and unhooking of the sled. Need to leave plenty of room beside and above the hitching eye.
24. Run a Tack box at every pull.
25. 26. RECOMMENDED: Side Shields.
27. Replacement block up to 466 cubic inch or stock cubic inch are allowed.
28. No water injection systems on tractor.
29. IFPA General Rules apply (except 41).
30. REQUIRED: fire suit and snell or DOT helmet.
31. Tractors must have a minimum of a 2 Post Rops that is capable of supporting the weight of the tractor in the event of a roll over. All tractors must have tie bars running from the axle housings to the frame rails.
32. REQUIRED: Seat Belts.
33. RECOMMENDED: Air Shut Off can be easily reached from the seat.
34. RPM Limit: 1 grace hook if RPM is not working. If over RPM the driver will be DQ.

### **8500# 466 Limited Pro**

1. Tractors must meet all the TSPA General Tractor Rules
2. Tractors are allowed a maximum of 466cu.
3. Tractors are allowed 1 smooth bore 3"x4" charger
4. Tractors are allowed Water Injection, but no type of inner/after cooler.
5. Tractors are allowed a maximum of a 24.5x32 rear tire.
6. Tractors are allowed a maximum weight with driver of 8,500 lbs.
7. 1/8 cable with 2 wraps in a figure 8 around intake and exhaust housing.

### **Open Class Tractors and Trucks**

1. All Open Class units must meet the safety requirements of TSPA rules & regulations.
2. Tractors to have a maximum hitch height of 20 inches.
3. 4-wheel drive trucks to have a maximum hitch height of 26 inches. Stock cross over tube or shortest distance.

4. 2-wheel drive trucks to have a maximum hitch height of 30 inches.
5. Trucks 8000# Tractors 8500# Farm Stock 10,000# 2850 RPM
6. 1/8 cable with 2 wraps in a figure 8 around intake and exhaust housing.

## **GENERAL TRUCK RULES**

1. Maximum of one automotive type engine with cast iron block.
2. Engine shall be naturally aspirated engine, no fuel injection systems, except Open Class trucks.
3. Gasoline, E85 (+/-), Ethanol or Methanol (alcohol) or racing fuel only.
4. No fuel lines or tanks allowed in driver's compartment.
5. All trucks must be equipped with a rear bumper and/or stabilizer bars that conform to the specifications at the back of Rules & Regulations.
6. All trucks shall have a full firewall.
7. Battery must be securely fastened down and if in cab, it must be enclosed.
8. Must run working kill switch located in rear center of bed. No restraints allowed. Kill switch must kill ignition and fuel pump.
9. Must be equipped with steel bell housing or 3/8 inch by 8-inch steel band 360 degrees around flywheel area fastened to frame with minimum of four (4) 3/8 inch bolts, grade 5 or better.
10. All engines to be equipped with harmonic balancer guard of 1/4-inch steel 360 degrees around, if water pump allows, with one (1) inch strap across front. Must have bolt in end of crank shaft to hold balancer.
11. Any truck with engine-driven fan blade is required to have a fan shroud of 1/16-inch minimum steel, 360 degrees around blade. Shroud shall be no more than one (1) inch from radiator core and 1/4 inch past rear of the blade.
12. Must have engine side shields extending from pan to bottom of head made of .060" steel or 0.125" aluminum frame can count as part of shield.
13. No radiators or water hoses allowed in driver's compartment.
14. All automatic transmissions shall have a SEMA approved blanket or shield.
15. All exhaust must discharge vertically or underneath and straight back, except if burns alcohol, then must be ran vertically.
16. All drive line U joints to be enclosed 360 degrees with 1/8 inch steel or 3/16 inch aluminum. Shield should be close enough to joint to restrain any broken parts. Joints should not be visible from side, top or bottom.
17. All truck engines are subject to being pumped for cubic inch test any time during the year.
18. It is required that drive shafts turning at or above engine speed be fully enclosed
19. All trucks shall have a backup light(s), in factory locations or a minimum of a single light two (2) inches in diameter, to be activated by gearshift lever when vehicle is in reverse.

## **Pro Street 2WD Truck #4300**

1. Trucks must meet all TSPA General Vehicle and General Truck rules (These rules are set for 3 years starting in 2022).
2. 4,300 lbs maximum with driver and co-driver. With weight

certificate.

3. Top 5 will receive payback monies.
4. Engine block shall be "small block" configurations only.
5. OEM production blocks only.
6. Must 7. No Bowtie, FRPP/Ford Motorsports, Direct Connection, or other aftermarket allowed.
8. 366 cubic inch maximum displacement. No tolerance.
9. MSD 6AL analog or digital with Rev Limiter required.
10. Unit may be mounted in the cab on passenger side firewall with rev limit chip facing up. Unit must not be reachable by driver buckled in.
11. Engines are limited to 7000 rpm with 1% tolerance.
12. Camshafts must be solid or hydraulic flat tappet. No roller camshafts allowed.
13. No roller lifters.
14. OEM or aftermarket Cast Iron Cylinder heads with factory valve cover angle, port location, and intake manifold bolt pattern allowed. No aluminum.
15. Cast iron or cast aluminum intake manifolds only.
16. One (1) four-barrel natural aspirated carburetor, 4150 style, Square flange 850 CFM maximum, with factory part number on choke housing.
17. Tow hook with 3" opening minimum. May exceed in front of weight box and will not be counted as the 153" maximum length.
18. Numbers must not be altered.
19. All air must enter through the Ventura.
20. Carburetor "Go – No- Go" tool must not extend below factory casting ring in non-modified venture.
21. Tool must not enter bottom base plate.
22. All other alterations acceptable.
23. Engine exhaust must exit vertically or downward and straight back.
24. OEM Transmission. No cutgears. Multiple transmissions allowed.
25. Manuals must run steel flywheel, steel bell housing, and block saver plate. Double disk clutch maximum. No centripetal clutches. No Glide type clutches. No Crowerhave OEM casting numbers.

clutches. Pedal style clutches only.

26. Automatic must have a SFI Shield or SFI blanket around the torque converter and planetary.
27. One ton rear differential maximum.
28. All trucks must be compact style mini truck, S10, Ranger, D50, Comanche, Dakota, Colorado, Blazer etc. Any brand of engine allowed in any truck body with full factory frame.
29. Factory frame only. May be reinforced front to back. No adding to the length of the frame.
30. Maximum wheelbase 109-1/4" Maximum length 153 inches measured from the center of the rear axle to the front of the weights.
31. Rear weights must either be inside of bed or drop below bed floor.
32. Hitch distance 39-1/4 inches minimum measured from the center of the rear axle to the hook point
33. Hitch must be stationary in all directions.
34. Maximum hitch height is 26 inches with driver (and co-driver) in the seat(s).
35. Draw bar must be straight from the anchor point to the hook point.
36. Hitch anchor point can be no higher than 36 inches off the ground.
37. Anchor pinhole will be 7/8" minimum.
38. DOT tires only. Unaltered tread pattern. Maximum tire size 33x12.50. Pullers specific tire brand and rim size combination

must be used for reference.

39. Maximum rim width 10 inches.
40. Factory OEM body, any OEM or aftermarket hood. Air cleaner must be covered by hood scoop or enclosure.
41. Firewall must remain in original position (can be cut for clearance).
42. Driver's seat must remain in original stock location.
43. Battery may be mounted anywhere, except inside of the cab.
44. Top of bed must be covered if bed is cut out.
45. All factory OEM glass. No Lexan or Plexiglass.

46. Racing gasoline or pump gas, E85 (+/-), Methanol (alcohol) is the only acceptable fuel. No combustion enhancers of any kind allowed in any fuel. Oxygenates are ok. If running alcohol exhaust must be run vertically.

47. Fuel cell can be mounted in front of truck but cannot exceed 153" maximum length from rear axle

48. Stabilizer bars required. The bars must extend behind the rear tire and be a maximum of 10 inches off the ground with a 5-inch square pad. NO rolling wheels or moving devices of any kind on stabilizer bars.

49. Safety belts are required and must be worn during competition. OEM or 4-point harness minimum.

50. Firewall and cab floor must have all unused holes patched or plugged.

51. Shields around u-joints and drive-line every three feet; 6" long shield thickness 3/8" aluminum, 5/16" steel. Vehicles must have drive-shaft loops every three feet. All vehicles must have universal joint covers (360 degrees) 6" long centered on joint.

52. Sled bumpers may extend past the hitch or body. These are recommended but not required.

### **Modified 2WD Truck 6,500#**

1. Trucks must meet all TSPA General Vehicle and General Truck rules
2. Engine shall be a maximum of 540 cu. in. displacement,
3. Cylinder heads shall have factory intake and exhaust port spacing and will accept and operate correctly with OEM intake manifold.
4. Any OEM bolt pattern intake manifold allowed.
5. No "Big Chief" or like style heads allowed.
6. No Fuel injection.
7. Multiple carburetors are permitted.

8. Limited to a maximum hitch height of 30 inches.

9. Rear hitch point to be a minimum of 18 inches from the center-line of rear axle.

10. Maximum of 34x18x15 or 40 inch tall DOT tires

11. Maximum length limit of Two Wheel trucks is fifteen (15) feet from center of rear axle to farthest front point.

12. Trucks must have a presentable box, flatbed or full body.

13. All trucks must have hood and fenders in place. All side doors must shut and latch.

14. Each drive shaft must have a minimum of two (2) loops. If vehicle has a shaft between transmission and transfer case, no longer than 24 inches, one (1) loop property centered will be suffice; two piece shafts must have four (4) loops. Loops shall be a minimum 1/8 inch steel or 3/16 inch aluminum and 1" wide.

### **Pro Street 4WD Truck 6,200#**

1. Trucks must meet all TSPA General Vehicle and General Truck rules. (Truck will weigh 6,200 lbs with zero tolerance.)
2. Items listed herein as OEM, shall mean, "As mass produced and installed on the factory assembly line by the manufacturer, originally for passenger car or light duty truck (one ton max.) Use", yet shall not limit all components to be of the same manufacturer.
3. Big Blocks shall be maximum 473 cubic inch displacement. 1% allowance. No De-cubing. Small blocks can run an after market block with a maximum cubic inch of 434.
4. Cast Iron OEM Heads. No Aftermarket of any type.
5. OEM valve cover angle, port location and intake bolt patterns only. No port plates of any type on heads
6. OEM style Cast Iron or Aluminum intake manifolds
7. One carburetor only.
  
8. Only Gasoline and Race gas allowed. E85 is allowed, but no straight alcohol.
9. Headers must be routed rearward under cab. Exhaust may exit vertical behind cab.
10. Rear edge of engine block shall be a minimum of 14" rearward of centerline of front axle
11. Dry sump oiling systems allowed.
12. No drop boxes allowed.
13. OEM front axle and in stock location.
14. OEM rear axle with max. 11-1/2" ring gear.
15. Any complete OEM metal truck body. No cutting of bed or cab allowed except front inner fenders. No one-piece tilt bodies. Fiberglass, aluminum, or composite body components and other modifications must be reviewed by tech official for approval. Metal tilt front clips are allowed.
  
16. Any commercially available aftermarket flatbed or utility bed allowed. Home built beds shall be reviewed by tech official for approval. OEM frame only. Front bumper shall be in stock location for make and model of truck.
17. No ballast forward of front bumper, including; weights, fuel cells, batteries, winches, snow plow equipment or other accessories.
18. 133" wheel base max. +1% for vehicles retaining OEM wheel base and must be reviewed by tech official.
19. Tires shall be DOT approved unaltered, max. Size 33x12.5 or metric equivalent as stamped on sidewall, on max. 10" wide wheels. Tire circumference shall not exceed 104.5" at 30 PSI. No bar tires allowed.
20. Hook point of hitch shall be 36% of wheel base behind centerline of rear axle and 26" max. height.
21. Vehicle built to rule of another association, meeting all rules stated above with minor exception, shall be reviewed by tech official for possible handicap.
  
22. No canted valves or spread port exhaust must have OEM bolt pattern and accessory bolt holes excludes SB2, SB.2 and R07 heads.
23. After market block must have OEM bolt pattern, standard deck, no spread bore, OEM tall decks allowed, no raised cam journals allowed, stock replacement and appearance dart SHP and Ford motorsports.
24. 12 inch wide wheels.
25. Neck brace, gloves, racing shoes, helmet with face shield, racing suit.



26. No alcohol before pass or will be disqualified and wont be allowed to make your pass.
27. Rules good till 2025.

### **Pro Stock 4WD Truck 6,200#**

1. Trucks must meet all TSPA General Vehicle and General Truck rules.
2. Engine shall be maximum 485 cubic inch displacement.
3. Engine shall be a cast iron block.
4. Cylinder heads shall be cast iron or aluminum OEM or after market with OEM intake port spacing and bolt pattern for mass produced manifold without adapters.
5. Exception: Small block engines with a maximum of 448 CID allowed any aftermarket cylinder heads.
6. Spacer plate to allow use of short deck manifold on tall deck block allowed.
7. No B1, SR20, A460, or any other similar head design.
8. Intake shall be a cast single carburetor. No tunnel ram intake or sheet metal intake. No forced air induction (turbo charger supercharger etc.)
9. Maximum one carburetor.
10. Engine shall be in stock position, or rear edge of engine block shall be
11. Vehicle shall have OEM frame.
12. Vehicle body shall be any metal OEM truck body.
13. Full cab required, except inner fenders and bed floor.
14. No one-piece tilt bodies. Fiberglass or composite body components and other modifications must be reviewed by tech official for approval.
15. Beds shall have a floor or be covered with tonneau cover or similar.
16. Maximum wheelbase of 133 inches.
17. Leading edge of front weights cannot extend more than 60 inches forward of the center-line of front axle.
18. Tires shall be DOT approved, no larger than 33X12.5 or metric equivalent as stamped on sidewall.
19. No bar tires permitted.
20. Hook point of hitch shall be a maximum height of 26 inches.
21. Hook point of hitch shall be a minimum distance of 36% of wheel base behind center line of rear axle.  
(i.e.133" WB X 36% =47.8")

### **LOCAL TRUCKS AND TRACTORS**

1. Optional classes for local trucks and/or tractors may be added at sponsor's discretion before or after the regular TSPA event at the expense of the sponsor.
2. Classes (weight, engine size, drive train type, etc.) will be determined in accordance with number of entries.
3. It is understood that these are "for fun only" classes, and that they are not serious competition with strict rules and regulations.
4. Tractors are to be obvious farm tractors, no cut tires, no nonstock injection pumps etc. no less than 14 inches behind centerline of front axle.
5. Trucks are to be obvious licensed trucks that are driven on the road for personal or business uses, no special tires, and no engine modifications not legal or practical on the road, etc.
6. Each truck must be equipped with clevis not less than 3 inches inside diameter bolted to rear bumper/hitch. Each tractor must equipped with a clevis not less than 3 inches inside diameter bolted to a drawbar not more than 20 inches above

the ground.

### **PROTEST PROCEDURE**

1. All TSPA members have the right to protest any contestant in their class.
2. Protests must be made with a Tech Inspector and/or the President before the next class starts or before the pull is over.
3. If a certified vehicle is contested for weight, there must be three (3) vehicles, in that weight class taken to the scales to be weighed.
4. Engine, chassis, fuel or water protest fee must be paid up front before protest will be considered.
5. If the protested member is found to be legal, the protested member gets the fee. If the protested member is found to be illegal, the protester gets the fee back.
6. The protest fee for an engine or chassis check is \$500.00
7. The protest fee for a fuel or water check is \$100.00.
8. Two (2) specific items can be inspected by the Tech Inspector per protest.
9. Protester will remain present during inspection. The party being protested must make vehicle available for checking.
10. Any protest of a turbo will result in an inspection of both the protested turbo and the protester's turbo.
11. If protested member fails to comply with the cubic inch limit or check, they will be disqualified for one year and one day.
12. Failure or refusal to allow a check will be considered an illegal vehicle.

### **CERTIFIED ENGINES**

1. All members will receive a schedule of engine certification places and times before the season starts.
2. Individual arrangements with the Tech Inspector may also be made.
3. All engines must be inspected by their second attended event.

### **CUBIC INCH TEST PROCEDURE**

1. Engines will be "pumped up" and/or measured after removal of the pan at the Tech inspector's discretion.
2. All vehicles will have a number on certified weight stickers.
3. These numbers may be drawn at a pull to be checked.

### **FUEL & WATER TEST PROCEDURE**

4. The sample will be taken, analyzed, or sealed and sent to the lab for testing by the Tech Inspector.
5. Tech Inspector is authorized to draw, at his discretion, up to two samples of fuel or water per division per year to be analyzed. If found in violation, competitor loses points accumulated to that date and is disqualified for that event

### **STABILIZER BARS & BUMPER**

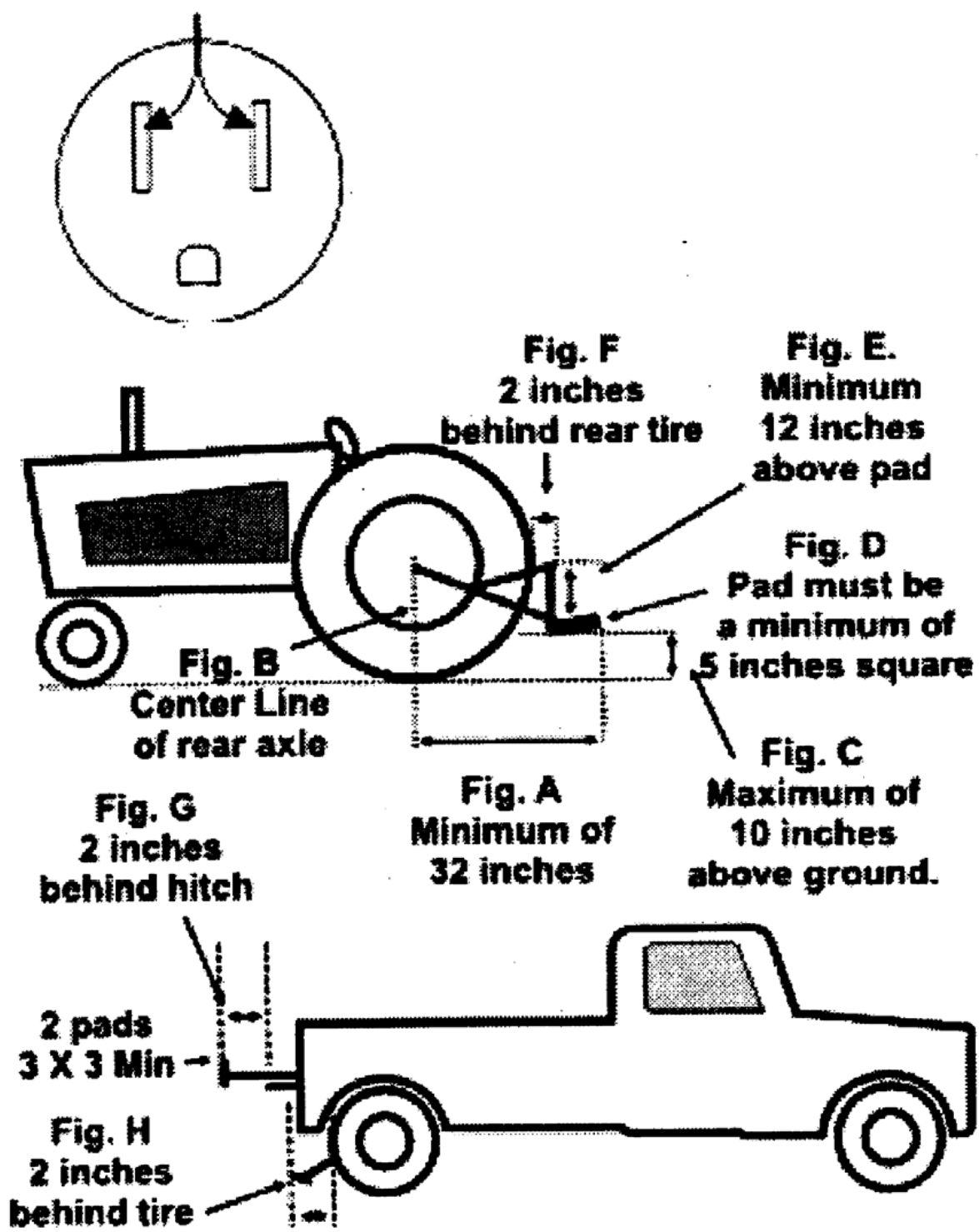
1. The stabilizer pad must be a minimum of 5 inches square.
2. A minimum of 20 inches will be allowed from the outside of one pad to the other.
3. Stabilizer bars are not to be mounted in any way to draw bar.
4. Tractor stabilizer bars will extend a minimum of 32 inches behind a line drawn from the center of the wheel to the ground.
5. The stabilizer pad must not be more than 10 inches above the ground.
6. Two wheel trucks stabilizer bars will extend 2 inches behind rear tires.
7. Bumpers on tractor stabilizer bar must be a minimum of 12 inches above pad and extend 2 inches behind rear most point

of rear tire.

8. All trucks will have bumpers with pads a minimum of 3 inches square extending 2 inches behind hitch.

*See Diagram Next Page*

Sensor wires to spades only



**NOTE:** *The stabilizer bar system must be able to support the weight of the machine in the heaviest class pulled. Jacking up the pads, so machine is completely off the ground, will be a good test.*

